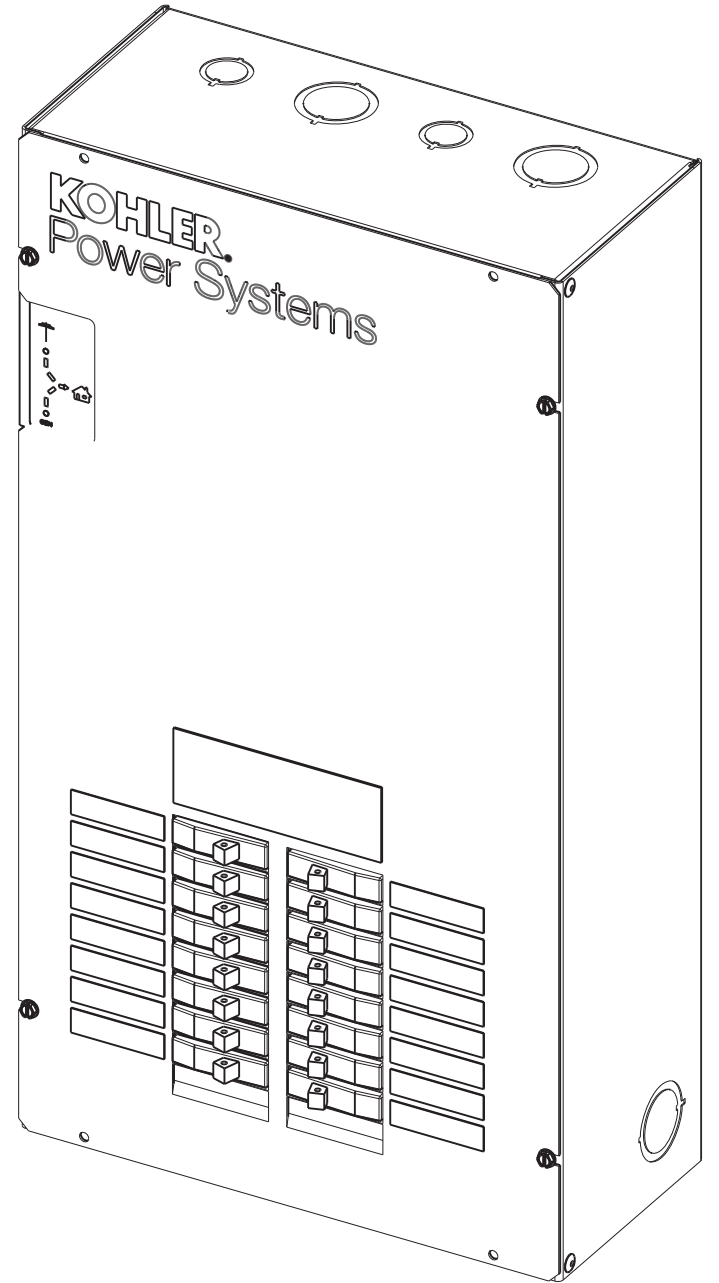
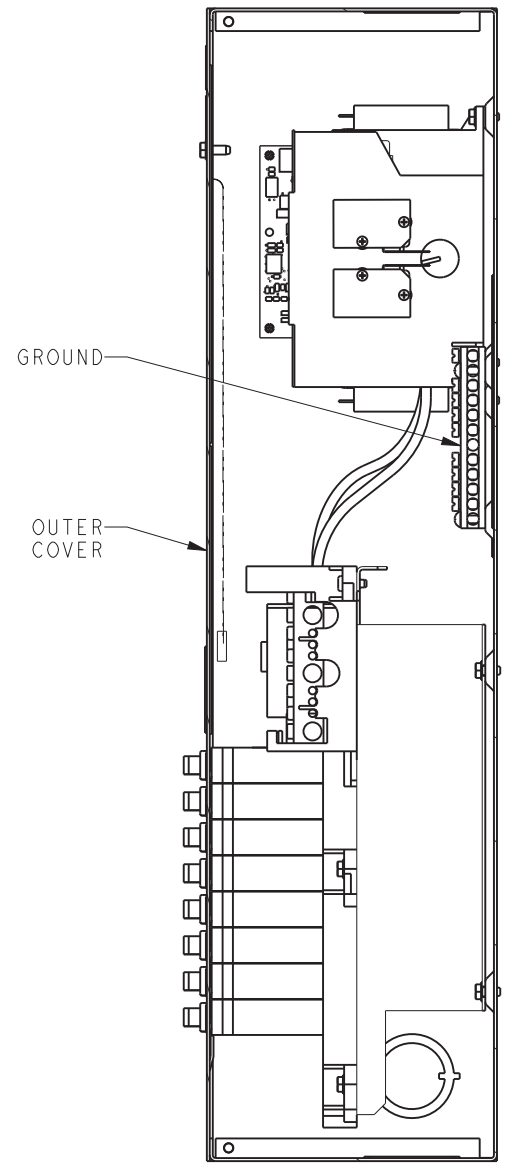
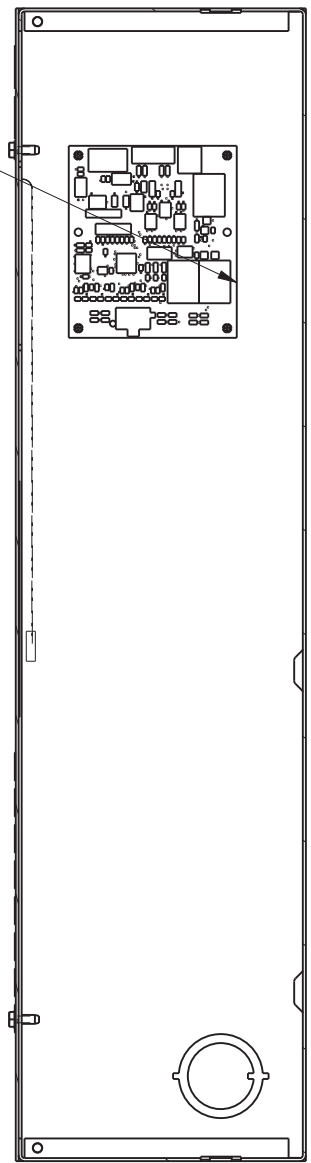
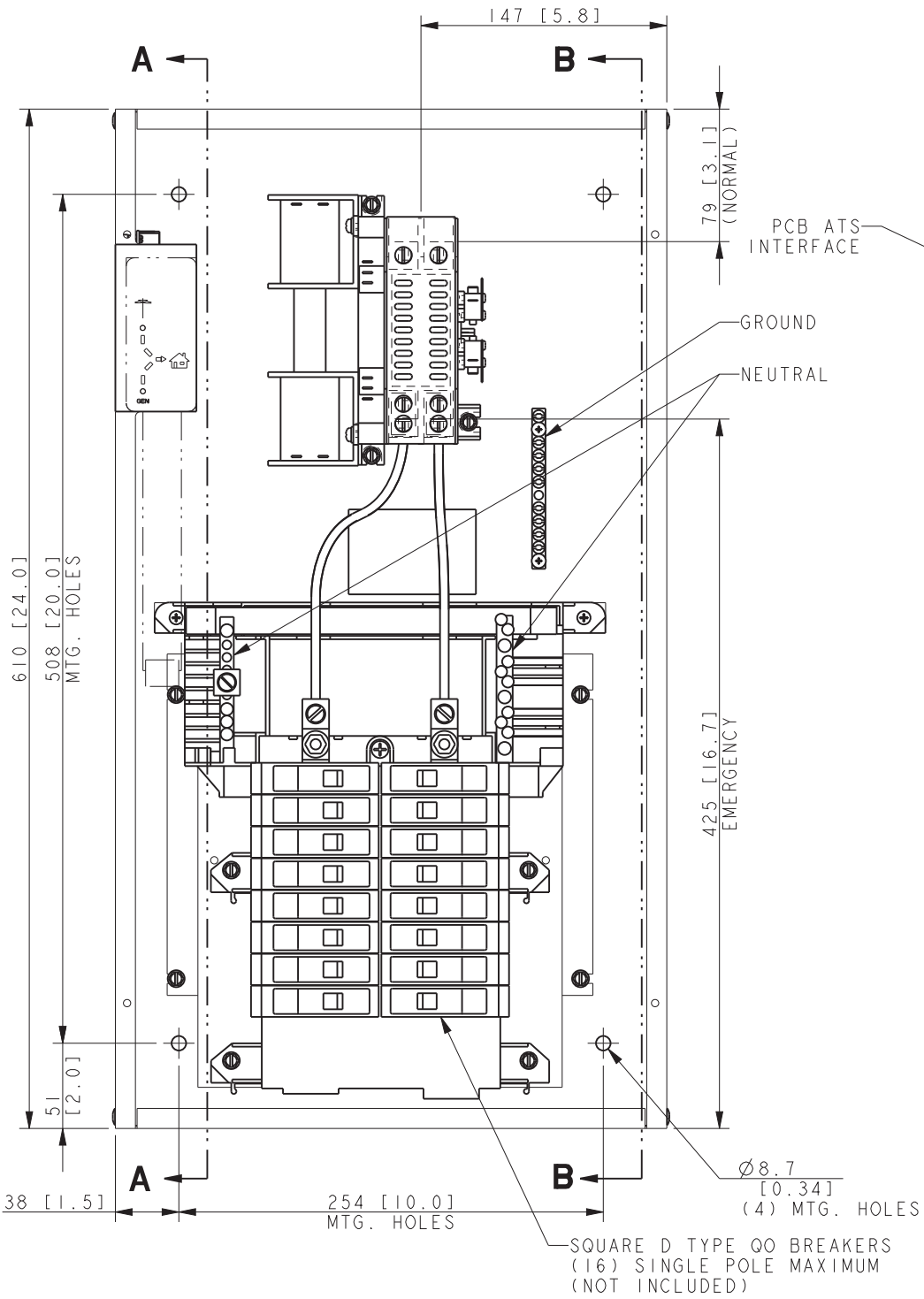


SWITCH RATING (AMPS)	RANGE OF AL-CU WIRE SIZES		
	CONTACTOR (PER PHASE)	NEUTRAL	GROUND
100	(1) #14-1/0 AWG	(27) #4-14 AWG (3) #14-1/0 AWG (1) #6-2/0 AWG	(9) #14-#4 AWG



DIMENSIONS IN [] ARE IN INCH EQUIVALENTS.
COVER FINISH: ANSI 49 GRAY
REFER TO OPERATOR'S MANUAL PRIOR TO INSTALLATION AND OPERATION OF UNIT.
APPROXIMATE WEIGHT 12 Kg (26 LBS.)

100A
MODEL RXT
16 POS. LOAD CENTER
NEMA 1 ENCLOSURE

REV	DATE	ON COMPOSITE DWGS. SEE PART NO. FOR REVISION LEVEL	BY	UNLESS OTHERWISE SPECIFIED - 1) DIMENSIONS ARE IN MILLIMETERS 2) TOLERANCES ARE:
-	3-13-12	NEW DRAWING [CT08798]	BTW	X.XX ± 0.25
A	7-16-13	(D-4) NEUTRAL UPDATED IN CHART; [CT48126]	BTW	X.X ± 1.0 X ± 1.5 ANGLES ± 0° 30' MAX.
				THIRD ANGLE PROJECTION
				APPROVALS DATE
				DRAWN BTW 3-13-12
				CHECKED BTW 3-13-12
				APPROVED MTL 3-13-12

KOHLER CO. METRIC PRO-E
POWER SYSTEMS, KOHLER, WI 53044 U.S.A.
THIS DRAWING IN DESIGN AND DETAIL IS KOHLER CO. PROPERTY AND MUST NOT BE USED EXCEPT IN CONNECTION WITH KOHLER CO. WORK. ALL RIGHTS OF DESIGN OR INVENTION ARE RESERVED.

TITLE: **DIMENSION PRINT**

SCALE 0.50 CAD NO. SHEET 1 of 1
DWG NO. **ADV-8487**